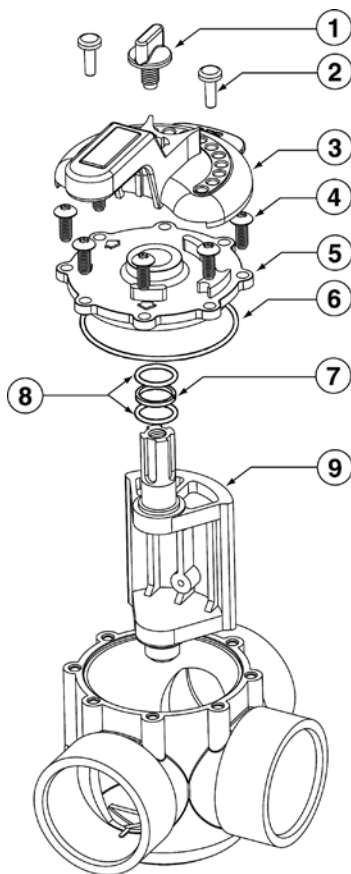


VALVE PARTS

Product Catalog 2023

DIVERTER VALVES – 1-1/2 IN. AND 2 IN.

REPLACEMENT PARTS (PACFAB AND COMPOOL VALVES)



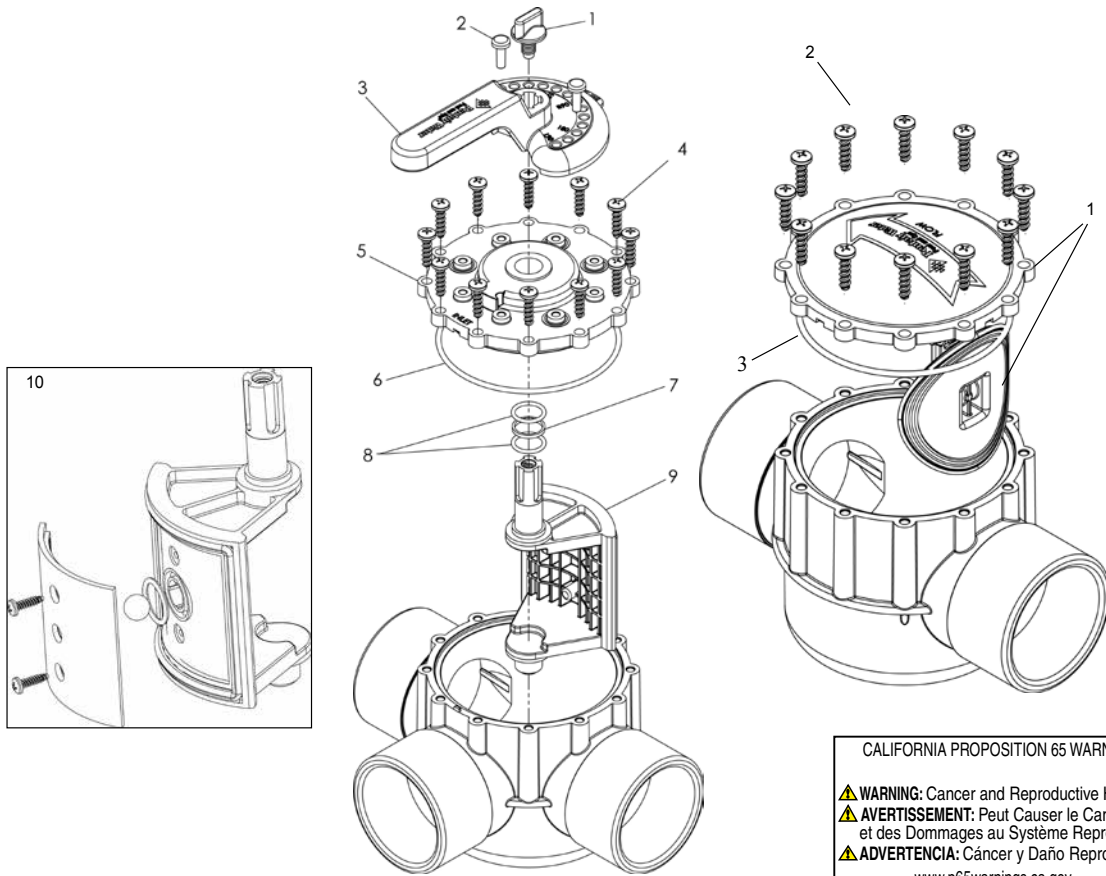
CALIFORNIA PROPOSITION 65 WARNING
 ⚠️ **WARNING:** Cancer and Reproductive Harm.
 ⚠️ **AVERTISSEMENT:** Peut Causer le Cancer et des Dommages au Système Reproducteur.
 ⚠️ **ADVERTENCIA:** Cáncer y Daño Reproductivo.
www.p65warnings.ca.gov PH-201714A

Item No.	Part No.	Description	US List	Can. List
DIVERTER VALVES – 1-1/2 IN. AND 2 IN.				
1	270032	Handle Knob 2 & 3-Way Valve	25.75	30.94
2	270021	Pin stop 2 & 3-Way Valve	3.22	3.87
3	270028	Handle 2 & 3-Way Valve	25.46	30.59
4	520389	Screw Kit, (8 Screws)	58.69	70.52
5	270030	Cover CPVC 2 & 3-Way Valve	27.09	32.55
6	51016200Z	O-ring #2-152 Buna 70 Shore	5.48	6.58
7	270038	Spacer ring	1.58	1.90
8	192039Z	O-ring #2-116 Buna 70 Shore	3.79	4.55
9	270056	Diverter assy. 2 & 3-Way Valve, (2–2-1/2 in.) ¹	100.92	121.27
9	270075	Diverter assy. 2 & 3-Way Valve, (1-1/2–2 in.) ¹	116.07	139.47
9	270094	Diverter assy. 3-Way Solar Valve w/ drain down, (2–2-1/2 in.)	169.20	203.31
NOT SHOWN				
	263042Z	Check Valve Replacement Kit	118.67	142.59

¹ Includes: P/N 270038 (Spacer split ring) and P/N 192039Z (O-ring).

FULLFLOXF® DIVERTER & CHECK VALVES – 2-1/2" & 3"

REPLACEMENT PARTS

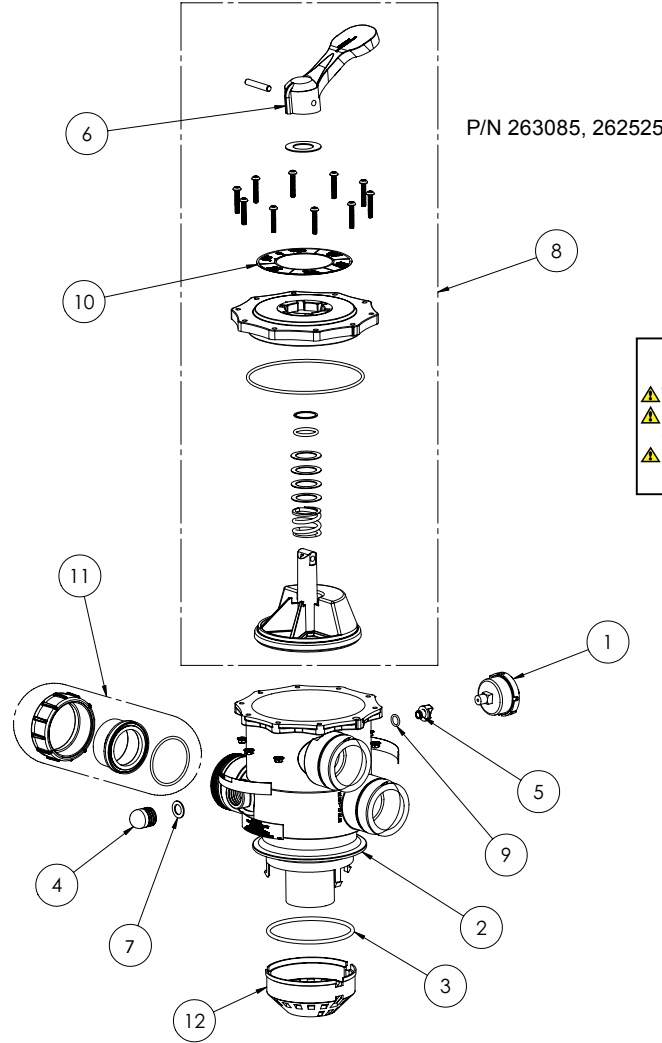


CALIFORNIA PROPOSITION 65 WARNING
 ⚠️ **WARNING:** Cancer and Reproductive Harm.
 ⚠️ **AVERTISSEMENT:** Peut Causer le Cancer et des Dommages au Système Reproducteur.
 ⚠️ **ADVERTENCIA:** Cáncer y Daño Reproductivo.
www.p65warnings.ca.gov PH 201714

Item No.	Part No.	Description	US List	Can. List
DIVERTER VALVE				
1	271074Z	Screw Handle Lock	25.76	30.95
2	271072Z	Pin Handle Stop	3.26	3.92
3	270118Z	Handle	CALL	CALL
4	271077Z	Screw Kit (12 screws/kit)	CALL	CALL
5	270115Z	Diverter Valve Cover	38.61	46.39
6	270116Z	O-Ring, 2-248 Buna-N 70 Shore A (1 req.)	12.07	14.50
7	271073Z	O-ring, Spacer (1 req.)	6.04	7.26
8	192039Z	O-Ring, 2-116 Buna-N 70 Shore A (2 req.)	3.79	4.55
9	270106Z	Diverter Shaft Assy	130.35	156.63
10	270107Z	Diverter Assy Solar 3-Way Valve w/ Drain Down Check Valve	193.07	231.99
CHECK VALVE				
1	270119Z	Check Valve Flapper Replacement Kit (includes items 2 & 3)	164.70	197.90
2	271077Z	Screw Kit (12 Screw/Kit)	72.39	86.98
3	270116Z	O-Ring 2-248 Buna-N 70 Shore A (1 req.)	12.07	14.50

2 IN. TOP MOUNT VALVE

REPLACEMENT PARTS



Item	Part No.	Description	US List	Can List
6 POSITION TOP MOUNT CLAMP-ON MULTIPOST VALVE				
1	190059Z	Pressure Gauge	64.42	77.41
2	270210Z	Valve Body	120.62	144.94
3	272541	Valve Body O-Ring	11.99	14.41
4	272556Z	Sight Glass	25.07	30.12
5	272557Z	Drain Plug	24.82	29.82
6	272558Z	Handle	37.81	45.43
7	272567Z	Sight Glass Gasket	25.07	30.12
8	272568Z	Valve Top Assembly*	238.44	286.51
9	272573Z	Drain Plug O-Ring	25.07	30.12
10	272576Z	Valve Position Label	28.16	33.84
11	272590Z	Union Kit	70.98	85.29
12	274402Z	Diffuser	47.32	56.86

* Item #8 does not include screws.

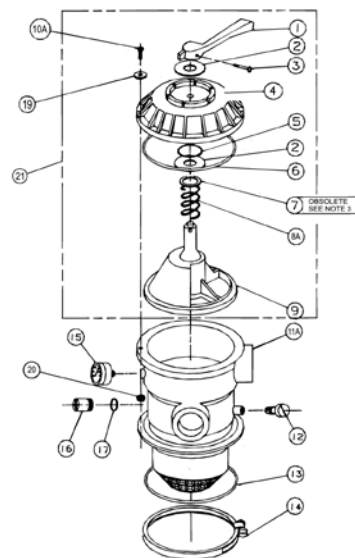
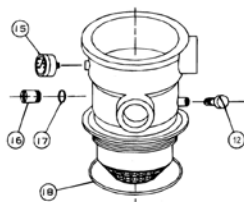
SIX-WAY 1-1/2 IN. TOP MOUNT HIFLOW™ VALVES

REPLACEMENT PARTS (PACFAB MULTIPOINT VALVES 262504, 262505, 262506)

NOTE

- 1 VALVES MANUFACTURED BEFORE MARCH 1, 1993 DO NOT CONTAIN ITEM 16 SIGHT GLASS OR ITEM 17 SIGHT GLASS GASKET.
- 2 CLAMP STYLE VALVES MANUFACTURED BEFORE MARCH 1, 1993 CONTAIN A DIFFERENT AIR BLEEDER WITH O-RING P/N 272515. THIS PART IS NOT INTERCHANGEABLE WITH P/N 273512. THREADED VALVES MANUFACTURED BEFORE MARCH 1, 1993 DO NOT CONTAIN AN AIR BLEEDER WITH O-RING.
- 3 ITEM 8A USED ON VALVES MANUFACTURED AFTER MAY 1, 1992 AND REPLACES BOTH ITEMS 7 AND 8.
- 4 ITEMS 10A, 19 AND 20 ARE USED ON VALVES MANUFACTURED AFTER APRIL 15, 1994 AND REPLACE ITEM 10.

For (261130) 6 in.
Buttress Style Valve For
TA Filters



For (262504) (262505)(262506) Clamp Style Valve For TA-D Filters

CALIFORNIA PROPOSITION 65 WARNING

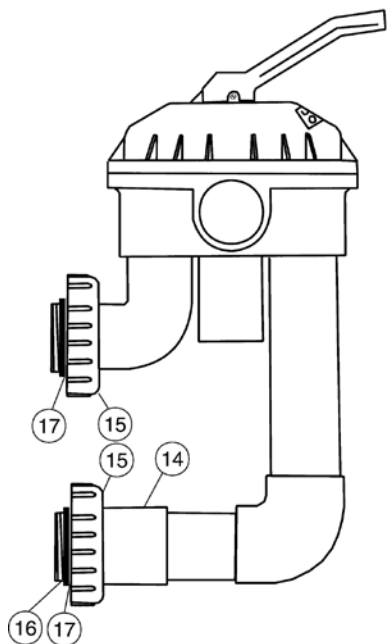
⚠️ **WARNING:** Cancer and Reproductive Harm.
 ⚠️ **AVERTISSEMENT:** Peut Causer le Cancer et des Dommages au Système Reproducteur.
 ⚠️ **ADVERTENCIA:** Cáncer y Daño Reproductivo.

www.p65warnings.ca.gov P65-2015-8

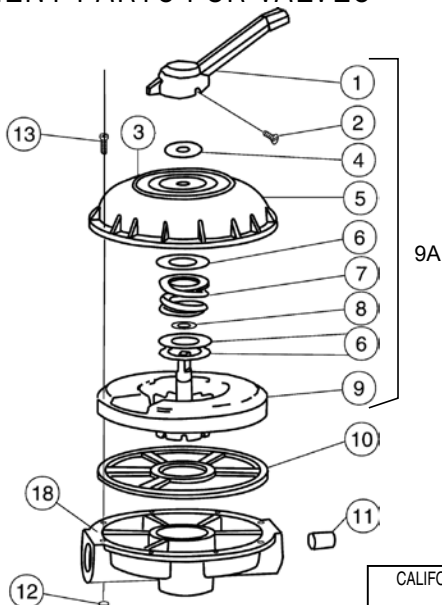
-Item No.	Part No.	Description	US List	Can. List
6-WAY HIFLOW MULTIPOINT VALVES				
1	272520	Handle	36.72	44.12
2	272505	Washer plastic, 2 req.	4.13	4.96
3	272405	Screw - handle	2.40	2.88
4	272599	Six-way valve label	8.56	10.29
5	272511	O-ring - diverter shaft	2.31	2.78
6	354053	O-ring - valve top	40.67	48.87
7	271193	Washer - s/s ³	3.52	4.23
8	272400	Spring - comp. 100 lb. 1-13/16 o.d. ³	13.77	16.55
8A	272535	Spring - comp. 100 lb. 1-3/8 o.d. ³	7.36	8.84
9	272512	Diverter w/ gasket	78.76	94.64
10A	354541	Screw #10-24 hex pan head, 6 req. ⁴	3.21	3.86
11A	272530	Valve body w/ diffuser - clamp style	192.94	231.84
12	273512	Air bleeder with O ring ²	17.10	20.55
13	272541	O-ring - 3/16 in. x 4-5/8 in. i.d.	11.99	14.41
14	152165	Clamp	36.72	44.12
15	190059Z	Pressure gauge	64.42	77.41
16	272550	Sight glass ¹	19.49	23.42
17	271106	Gasket - sight glass ¹	4.36	5.24
18	154493	O-ring	7.95	9.55
19	272555	Washer - 9/16 s/s, 6 req. ⁴	2.40	2.88
20	272554	Nut - #10-24 serrated flange s/s, 6 req. ⁴	2.94	3.53
21	272531	HiFlow 1-1/2 in. top valve assy.	241.14	289.75

2 IN. HIFLOW™ VALVES

REPLACEMENT PARTS FOR VALVES



Valves
261049
261050
261142



CALIFORNIA PROPOSITION 65 WARNING
 ⚠️ **WARNING:** Cancer and Reproductive Harm.
 ⚠️ **AVERTISSEMENT:** Peut Causer le Cancer et des Dommages au Système Reproducteur.
 ⚠️ **ADVERTENCIA:** Cáncer y Daño Reproductivo.
www.p65warnings.ca.gov PA2019A

Item	Part No.	Description	US List	Can. List
2 IN. HIFLOW VALVES				
1	272520	Handle	36.72	44.12
2	272405	Screw - Handle	2.40	2.88
3	272120	Label	CALL	CALL
4	272402	Washer - Plastic	4.18	5.02
5	272412	Valve Top	83.28	100.07
6	271193	Washer - 18 GA., 2 req.	3.52	4.23
7	272400	Spring - Compression	13.77	16.55
8	JV18	O-ring Kit Bag	1.60	1.92
9	272413Z	Diverter	147.16	176.83
9A	272422	Valve top assy. ¹	315.65	379.29
10	272409	Seal - Diverter	57.32	68.88
11	154566	Sight Glass 2 in. clear	22.40	26.92
12	98211400	Nut 1/4 in.- 20 Hex, 8 req.	3.82	4.59
13	272403	Screw 1/4 in.- 20, 8 req.	2.57	3.09
15	274407	Nut - Bulkhead adapter, 2 req.	25.39	30.51
16	274426	Adapter - Union Kit	CALL	CALL
17	274494	O-ring - Bulkhead adapter, 2 req.	7.24	8.70
18	272433	Valve btm. 2 in. w/ gasket ²	195.91	235.41

¹ This part number includes items 1 thru 9.

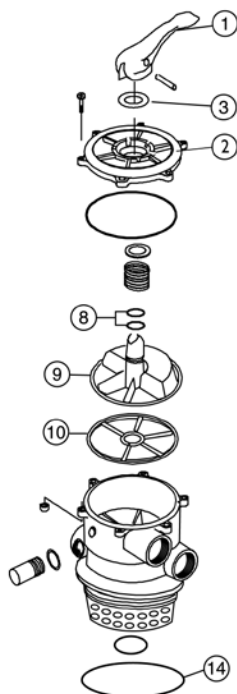
² 272433 valve btm. 2 in. w/ gasket contains one each of: 272409 seal diverter and 272415 Plate 2 in. valve btm.

TOP MOUNT CLAMP-ON MULTIPOINT VALVES

REPLACEMENT PARTS FOR AMERICAN VALVES

P/N 50113100
1-1/2 in. thrd.

P/N 50123100
2 in. slip



Item	Part No.	Description	US List	Can. List
6 POSITION TOP MOUNT CLAMP-ON MULTIPOINT VALVE				
1	271156	Handle	48.56	58.35
2	98740900	Label multipoint valve - 2 in. eclipse	CALL	CALL
3	51001400	Washer, poly	14.11	16.95
8	191479	O-ring	1.98	2.38
9	51002800	Rotor 1-1/2 in.	118.24	142.08
9	51002900	Rotor 2 in.	123.90	148.88
10	271104	Gasket, spider, 1-1/2 in. valve	38.98	46.84
10	271148Z	Gasket, spider, 2 in. valve	47.25	56.78
14	39300600Z	O-ring, 26 & 30 in. filter	30.24	36.34

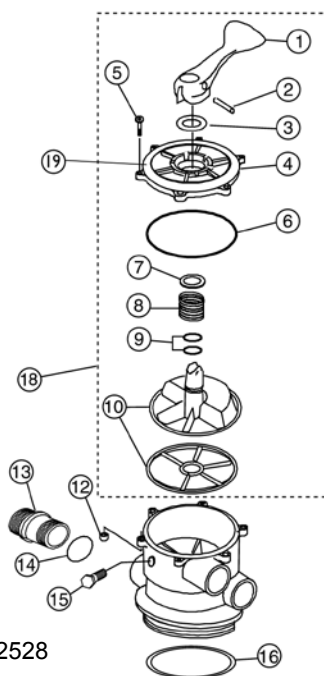
CALIFORNIA PROPOSITION 65 WARNING

⚠ **WARNING:** Cancer and Reproductive Harm.
 ⚠ **AVERTISSEMENT:** Peut Causer le Cancer et des Dommages au Système Reproducteur.
 ⚠ **ADVERTENCIA:** Cáncer y Daño Reproductivo.
www.p65warnings.ca.gov

TOP MOUNT CLAMP-ON MULTIPOINT VALVES

REPLACEMENT PARTS FOR AMERICAN VALVES

P/N 272528



5 Position Product No.: 50115100

8 Position Product Nos.: 50118100,
50118200, & 50118300

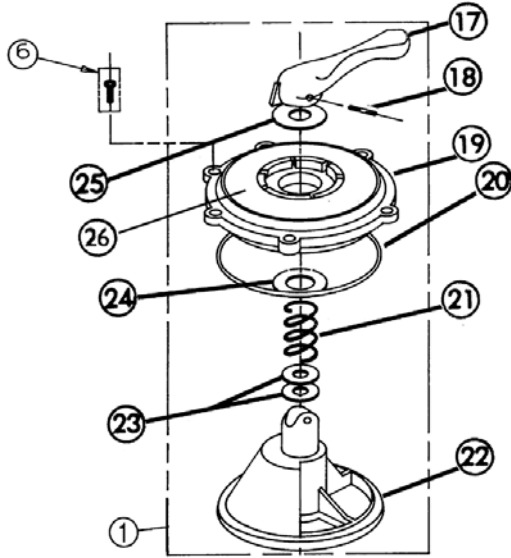
Item	Part No.	Description	US List	Can. List
5 & 8 POSITION TOP MOUNT CLAMP-ON MULTIPOINT VALVE				
1	50131100	Handle, 8-pos.	CALL	CALL
2	50151400	Pin, handle	9.68	11.63
3	51025700	Washer, poly	13.01	15.63
4	50133100	Lid assy., 8-pos., w/ label	82.73	99.41
5	98209000	Screw 14-20 x 1-1/2 in., 6 req.	3.05	3.66
6	50151700	O-ring, lid	20.65	24.81
7	51021600	Washer	10.39	12.48
8	51000700	Spring	17.92	21.53
9	191479	O-ring, rotor, 2 req.	1.98	2.38
10	50131400	Rotor, spider gasket assy.	57.09	68.60
12	98211400	Nut, 1/4 in. -20, 6 req.	3.82	4.59
13	85019000	Sight glass, 18, 20 in. sand filter	31.97	38.42
13	85019100	Sight glass, 22, 26 in. sand filter	31.97	38.42
14	50152300	O-ring, backwash sight glass	7.68	9.23
15	98206400	Plug, 1/4 in. NPT w/ O-ring	5.58	6.70
16	39300600Z	O-ring, 26, 30 in. sand filter	30.24	36.34
18	272528	Top Valve Assy.	CALL	CALL
19	96734200	Label multipoint valve 8 pos.	CALL	CALL

CALIFORNIA PROPOSITION 65 WARNING

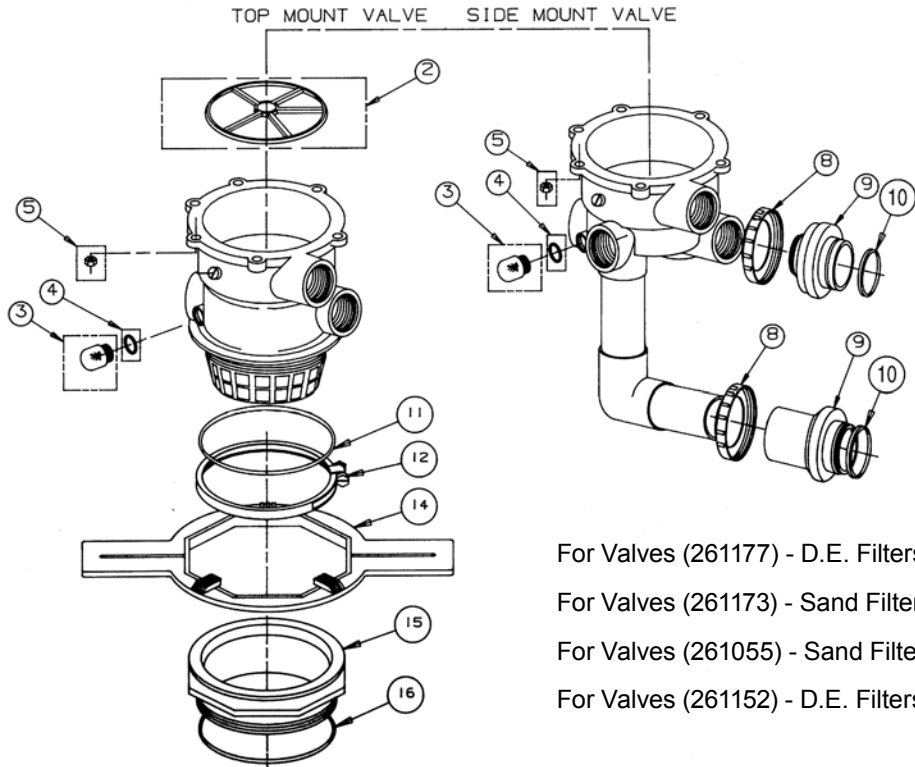
⚠ **WARNING:** Cancer and Reproductive Harm.
 ⚠ **AVERTISSEMENT:** Peut Causer le Cancer et des Dommages au Système Reproducteur.
 ⚠ **ADVERTENCIA:** Cáncer y Daño Reproductivo.
www.p65warnings.ca.gov

TOP MOUNT / SIDE MOUNT VALVES

REPLACEMENT PARTS FOR PACFAB MULTIPOINT VALVES



For use on TR, TA, NS or FNS filters



For Valves (261124, 261185)

For Valves (261177) - D.E. Filters
 For Valves (261173) - Sand Filters
 For Valves (261055) - Sand Filters
 For Valves (261152) - D.E. Filters

CALIFORNIA PROPOSITION 65 WARNING
 ⚠️ WARNING: Cancer and Reproductive Harm.
 ⚠️ AVERTISSEMENT: Peut Causer le Cancer et des Dommages au Système Reproducteur.
 ⚠️ ADVERTENCIA: Cáncer y Daño Reproductivo.
www.p65warnings.ca.gov PH020174A

TOP MOUNT / SIDE MOUNT VALVES (CONT'D)

REPLACEMENT PARTS FOR PACFAB MULTIPORT VALVES

Item	Part No.	Description	US List	Can. List
TM/SM HIFLOW MULTIPORT VALVES				
1	270068	Top valve assy. 1-1/2 in.	291.63	350.42
1	270067	Top valve assy. 2 in.	346.76	416.67
2	271104	Gasket - diverter, 1-1/2 in.	38.98	46.84
2	271148Z	Gasket - diverter, 2 in.	47.25	56.78
3	272550	Sight glass	19.49	23.42
4	271106	Gasket - sight glass	4.36	5.24
5	152167	Nut, M6 s/s, 6 req.	2.22	2.67
6	152168	Screw - M6 x 30mm s/s, 6 req.	3.09	3.71
8	274407	Nut - bulkhead adapter, 2 req.	25.39	30.51
9	274404	Adapter - valve, slip 1-1/2 in.	36.72	44.12
9	274651	Adapter - valve, threaded 1-1/2 in.	19.59	23.54
9	274556	Adapter - valve thread, 2 in.	22.77	27.36
10	274494	O-ring - adapter, 2 req.	7.24	8.70
11	272541	O-ring - valve adapter, 1-1/2 in.	11.99	14.41
11	275333	O-ring - valve, 2 in.	10.19	12.24
12	152165	Clamp with screws and nuts, 1-1/2 in.	36.72	44.12
12	152130	Band assy. - valve, 2 in.	155.69	187.08
14	154512	Wrench - flanged valve, 1-1/2 in.	38.60	46.38
14	151608	Wrench - adapter flange	CALL	CALL
15	155225	Adapter - flanged std. thread, 1-1/2 in.	57.03	68.53
15	152520Z	Adapter - flanged buttress, 1-1/2 in.	161.49	194.05

Item	Part No.	Description	US List	Can. List
15	154521	Adapter - flange buttress thread, 2 in.	101.38	121.82
16	154493	O-ring flanged valve adapter, 1-1/2 in.	7.95	9.55
16	152501	O-ring - adapter, 2 in.	9.84	11.82
17	271156	Handle	48.56	58.35
18	271164	Pin, handle	19.59	23.54
19	271158	Valve top, white, 1-1/2 in.	88.54	106.39
19	271165	Valve top, black, 1-1/2 in.	88.54	106.39
19	271166	Top valve cover, blk, 2 in.	132.70	159.45
19	271169	Top valve cover, blk, 2 in.	132.70	159.45
20	271103	O-ring, valve top, 1-1/2 in.	23.06	27.71
20	271151	O-ring, valve top, 2 in.	28.38	34.10
21	271161	Valve spring	65.72	78.97
22	271163	Valve diverter, 1-1/2 in.	118.15	141.97
22	271168	Valve diverter, 2 in.	132.70	159.45
23	191479	O-ring, stem, 2 req.	1.98	2.38
24	271160	Washer, valve spring	14.36	17.25
25	271157	Washer, handle	14.36	17.25
26	273208	Label 2 in. Sand (261055)	CALL	CALL
26	273207	Label 2 in. D.E. (261152)	CALL	CALL
26	271140	Label 1.5 in. Sand (261173)	CALL	CALL
26	271141	Label 1.5 in. D.E. (261177)	CALL	CALL
26	272035	Label 1.5 in. Sand (261124)	CALL	CALL
26	273211	Label 2 in. Sand (261185)	CALL	CALL

CALIFORNIA PROPOSITION 65 WARNING

⚠ **WARNING:** Cancer and Reproductive Harm.
 ⚠ **AVERTISSEMENT:** Peut Causer le Cancer et des Dommages au Système Reproducteur.
 ⚠ **ADVERTENCIA:** Cáncer y Daño Reproductivo.
www.p65warnings.ca.gov

MULTIPOINT SIDE MOUNT 1-1/2 IN. VALVES

REPLACEMENT PARTS FOR STA-RITE VALVES

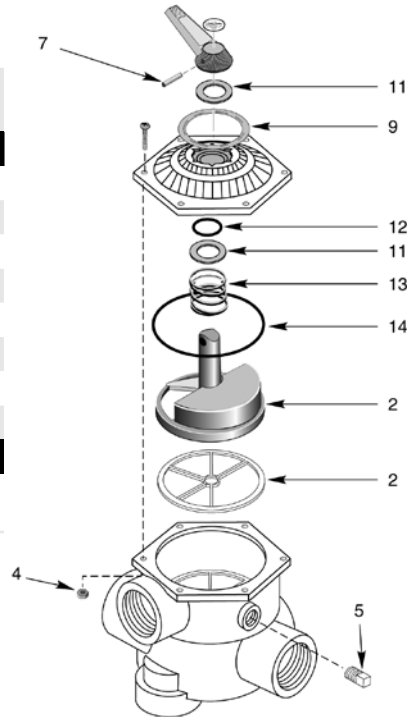


Item	Part No.	Description	US List	Can. List
MULTIPOINT SIDE MOUNT 1-1/2 IN. VALVE				
2	14962-0017	Plug and Gasket	151.58	182.14
4	98211400	Hex Nut, 1/4-20 S.S.	3.82	4.59
5	WC78-40T	Plug, 1/4 in.	5.00	6.01
7	35857-0021	Dowel Pin, 5/16 x 2-1/2 in. S.S.	10.39	12.48
11	14962-0005	Washer	5.88	7.07
12	35505-1228	O-Ring	5.88	7.07
13	14962-0011	Spring	29.88	35.90
14	35505-1272	O-Ring	15.79	18.97
NOT SHOWN				
14962-0035	Spring and O-Ring Kit, Includes Items 11, 12, 13 & 14		62.52	75.12

MODELS

14964-0014 – Hose Connection
 WC212-143P – Union onnection

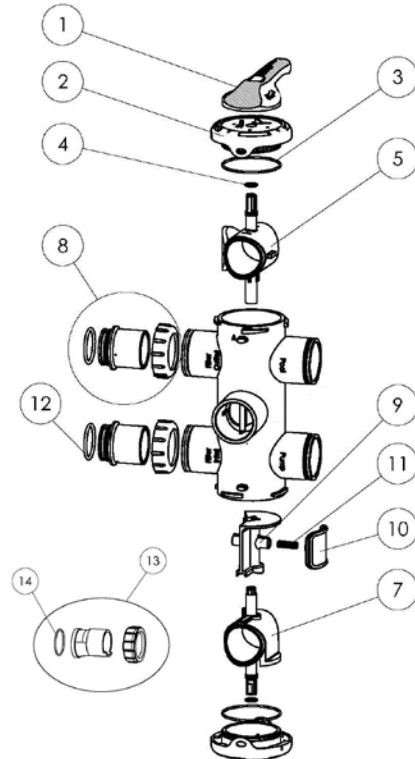
CALIFORNIA PROPOSITION 65 WARNING
 ⚠️ **WARNING:** Cancer and Reproductive Harm.
 ⚠️ **AVERTISSEMENT:** Peut Causer le Cancer et des Dommages au Système Reproducteur.
 ⚠️ **ADVERTENCIA:** Cáncer y Daño Reproductivo.
www.p65warnings.ca.gov



FULLFLOXF® BACKWASH VALVE

REPLACEMENT PARTS FOR VALVES

Item	Part No.	Description	US List	Can. List
FULLFLOXF BACKWASH VALVE				
1	270187Z	Handle	73.07	87.80
2	270190Z	End Cap, 2 Req.	63.37	76.15
3	270197Z	O-Ring #2-244 Buna, 2 Req.	11.69	14.05
4	192039Z	O-Ring #2-116 Buna, 2 Req.	3.79	4.55
5	270199Z	Outlet Diverter	97.46	117.11
7	270200Z	Inlet Diverter	97.46	117.11
8	274426Z	Pentair Union Assembly	73.07	87.80
9	274416Z	Center Diverter	73.07	87.80
10	274417Z	Waste Seal	73.07	87.80
11	274421Z	Waste Seal Spring	17.04	20.48
12	274494	O-Ring #2-332 Buna	7.24	8.70
13	261067Z	Sta-Rite Union Assembly	73.07	87.80
14	U9-362	O-Ring #2-231 Buna	7.45	8.95
NOT SHOWN				
270514Z	Rebuilt Kit includes Item 3 (Qty. 2), Item 4 (Qty. 2), and Items 5, 7, and 10.		243.62	292.73
411101Z	XF Union Kit		146.17	175.64



MULTIPORT SIDE MOUNT 1-1/2 & 2 IN. VALVES

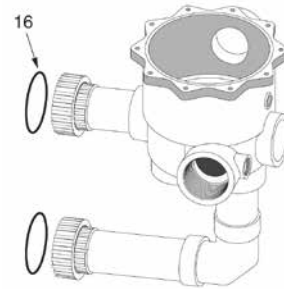
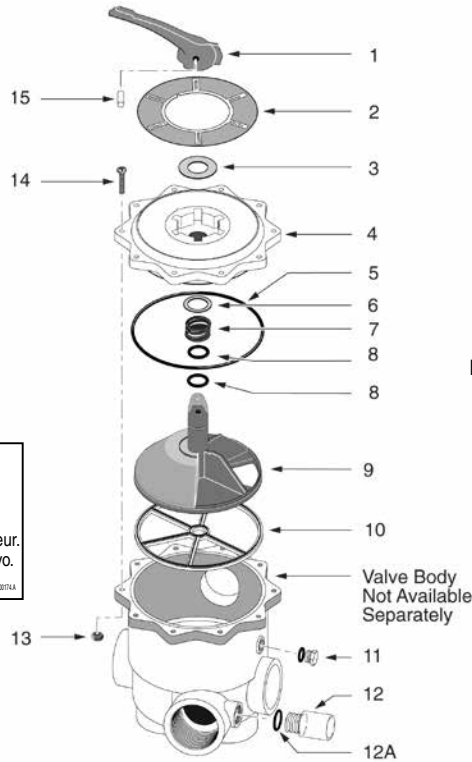
REPLACEMENT PARTS FOR STA-RITE VALVES



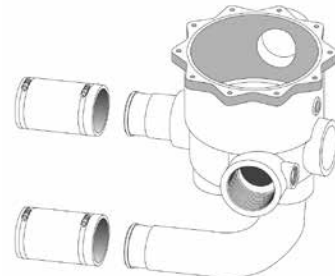
MODELS

- 18202-0150
- 18202-0150H
- 18201-0200
- 18201-0200H
- 18201-0300
- 18202-0250

CALIFORNIA PROPOSITION 65 WARNING
 ⚠️ **WARNING:** Cancer and Reproductive Harm.
 ⚠️ **AVERTISSEMENT:** Peut Causer le Cancer et des Dommages au Système Reproducteur.
 ⚠️ **ADVERTENCIA:** Cáncer y Daño Reproductivo.
www.p65warnings.ca.gov PR 201714



Models 18202-0150, 18201-0200, and 18201-0300 include union halves as shown.



Models 18202-0150H and 18202-0200H require hose connector kits.

Item	Part No.	Description	US List	Can. List
MULTIPORT SIDE MOUNT 1-1/2 & 2 IN. VALVE				
1	14971-SM10E1	Handle	57.48	69.07
2	32155-4136	Label Decal (2 in. Valve) (18201-0200 & 18201-0200H)	CALL	CALL
2	32155-4133	Label Decal (1.5 in. Valve) (18202-0150 & 18202-0150H)	CALL	CALL
2	32155-4171	Label Decal (1.5 in. Valve) (18202-0250)	CALL	CALL
3	14971-SM10E3	Washer	16.43	19.74
4	14971-SM10E6	Valve Cover (1-1/2 in. Valve)	104.94	126.10
4	14971-SM20E6	Valve Cover (2 in. Valve)	88.72	106.61
5	14971-SM20E7	Cover O-Ring (2 in. Valve)	24.42	29.34
6	14971-SM10E8	Washer	16.43	19.74
7	14971-SM10E9	Spring	71.78	86.25
8	14971-SM10E10	O-Ring	14.73	17.70
9	14971-SM10E11	Plug (1-1/2 in. Valve)	96.80	116.31
9	14971-SM20E11	Plug (2 in. Valve)	92.17	110.75
10	14971-SM10E12	Spider Gasket (1-1/2 in. Valve)	29.58	35.54
10	14971-SM20E12	Spider Gasket (2 in. Valve)	64.57	77.59
11	U178-920PZ	1/4 in. NPT Plug w/ O-Ring	7.57	9.10
12	14971-SM10E17	Sight Glass	24.90	29.92
12A	14971-SM10E16	Sight Glass Gasket	9.12	10.96
13	14971-SM10E14	Nut (6 for 1-1/2 in., 10 for 2 in.)	3.86	4.64
14	14971-SM10E4	Bolt (6 for 1-1/2 in., 10 for 2 in.)	5.80	6.97
15	14971-SM10E2	Handle Pin	23.22	27.90
16	U9-362	O-Ring (-0150, -0200 only)	7.45	8.95

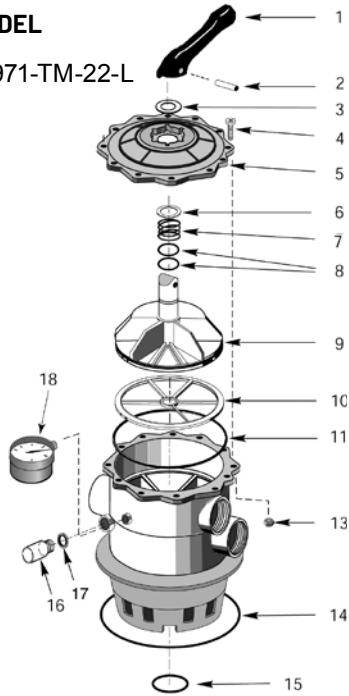
MULTIPOINT 2 IN. VALVES

REPLACEMENT PARTS FOR STA-RITE VALVES



MODEL

14971-TM-22-L



Item	Part No.	Description	US List	Can. List
MULTIPOINT 2 IN. VALVE				
1	14971-SM10E1	Handle (ABS)	57.48	69.07
2	14971-SM10E2	Pin (S.S. 304)	23.22	27.90
3	14971-SM10E3	Washer	16.43	19.74
4	14971-SM10E4	Screw (S.S. 304)	5.80	6.97
5	14971-SM20E6	Valve Cover (ABS)	88.72	106.61
6	14971-SM10E8	Washer	16.43	19.74
7	14971-SM10E9	Spring (S.S. 304)	71.78	86.25
8	14971-SM10E10	O-Ring (Mitrile)	14.73	17.70
9	14971-SM20E11	Plug & Gasket Assembly	92.17	110.75
10	14971-SM20E12	Gasket (Kratom)	64.57	77.59
11	14971-SM20E7	O-Ring, Cover	24.42	29.34
13	14971-SM10E14	Nut, Hex (S.S. 304)	3.86	4.64
14	U9-369	O-Ring, Tank Flange	23.79	28.59
15	35505-1243	O-Ring, Stand Pipe	5.25	6.31
16	14971-SM10E17	Sight Glass	24.90	29.92
17	14971-SM10E16	Sight Glass, Gasket	9.12	10.96
18	15060-0000T	Gauge, Pressure	64.53	77.54
NOT SHOWN				
	14971-SM20E50	Key Assembly Items 1-10	578.86	695.56

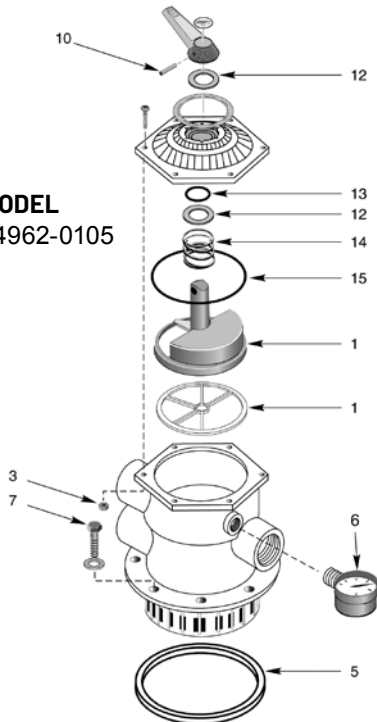
MULTIPOINT TOP MOUNT 1-1/2 IN. VALVES

REPLACEMENT PARTS FOR STA-RITE VALVES



MODEL

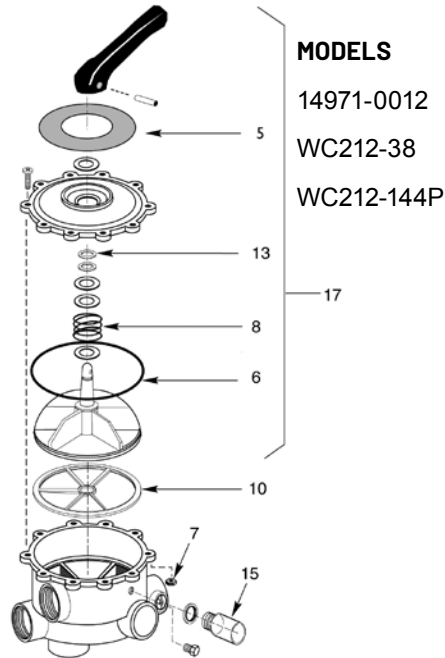
14962-0105



Item	Part No.	Description	US List	Can. List
MULTIPOINT TOP MOUNT 1-1/2 IN. VALVE				
1	14962-0017	Plug with Gasket	151.58	182.14
3	98211400	Hex Nut, 1/4-20 S.S.	3.82	4.59
5	14962-0021	Square Ring, BUNA-N	30.48	36.62
6	15060-0000T	Pressure Gauge - 0-60 PSI	64.53	77.54
7	U30-74SS	Bolt, 3/8-16 x 1 in. S.S.	6.56	7.88
10	35857-0021	Dowel Pin, 5/16 x 2-1/2 in. S.S.	10.39	12.48
12	14962-0005	Washer, Celcon	5.88	7.07
13	35505-1228	O-Ring, Parker #2-216, BUNA-N	5.88	7.07
14	14962-0011	Spring, Compression	29.88	35.90
15	35505-1272	O-Ring, Parker #2-255	15.79	18.97
NOT SHOWN				
	14962-0035	Spring and O-ring Kit, includes items 12, 13, 14 & 15	62.52	75.12

MULTIPOINT SIDE MOUNT 2 IN. VALVE PLUG & GASKET KIT

REPLACEMENT PARTS FOR STA-RITE VALVES



MODELS

14971-0012

WC212-38

WC212-144P

Item	Part No.	Description	US List	Can. List
MULTIPOINT 2 IN. VALVE PLUG & GASKET KIT				
5	60000-0706	Label	CALL	CALL
6	35505-1412	O-Ring ¹	66.34	79.71
7	35407-0071	Nut, 1/4 -20 S.S.	7.39	8.88
8	14971-0006	Spring ¹	134.67	161.82
10	14971-0005	Gasket, Valve Seat	128.88	154.86
13	57006800	O-Ring ¹	2.73	3.28
15	14971-0009	Sight Glass	42.93	51.58
17	77704-0100	Cover and Plug Assembly Kit, includes items 5 & 9	CALL	CALL

¹ Kit includes 2 hoses, 4 clamps.

CALIFORNIA PROPOSITION 65 WARNING

⚠ **WARNING:** Cancer and Reproductive Harm.
 ⚠ **AVERTISSEMENT:** Peut Causer le Cancer et des Dommages au Système Reproducteur.
 ⚠ **ADVERTENCIA:** Cáncer y Daño Reproductivo.
www.p65warnings.ca.gov

FULLFLOW® VALVES

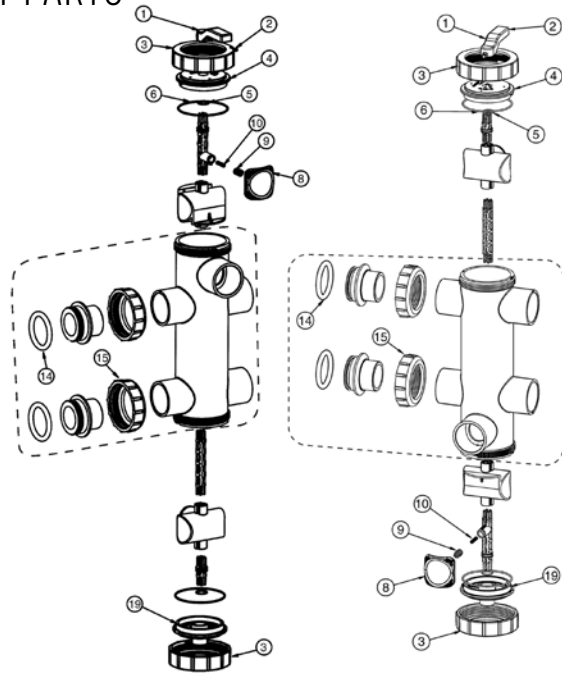
REPLACEMENT PARTS

Item	Part No.	Description	US List	Can. List
FULLFLOW VALVES				
1	278006	Handle	CALL	CALL
2	072536	Screw	14.25	17.12
3	278020	Cap, nut, 2 req.	CALL	CALL
4	278021	Cap, insert - top.	CALL	CALL
5	192039Z	O-ring #2-116 Bunan, 2 req.	3.79	4.55
6	275300	O-ring #2-154 Bunan 70, 2 req.	0.84	1.01
8	278019	Seal, waste.	CALL	CALL
9	271065	Spring, .42 o. d..	6.08	7.31
10	270006	Spring, .24 o. d..	9.68	11.63
14	274494	O-ring, adapter, 2 req.	7.24	8.70
15	274440	Nut, adapter, 2 req. ¹	24.69	29.67
19	278022	Cap insert, bottom	CALL	CALL
20	270011	Shaft Assembly	CALL	CALL

¹ Items may not be purchased separately, order item #20, Shaft Assy.

CALIFORNIA PROPOSITION 65 WARNING

⚠ **WARNING:** Cancer and Reproductive Harm.
 ⚠ **AVERTISSEMENT:** Peut Causer le Cancer et des Dommages au Système Reproducteur.
 ⚠ **ADVERTENCIA:** Cáncer y Daño Reproductivo.
www.p65warnings.ca.gov



FullFlow Sand Valve
263010
7-1/2 in. Centerline
Filters

FullFlow D. E. Valve
263011
7-1.2 in. Centerline
Filters

PUSH PULL™ VALVE

REPLACEMENT PARTS FOR AMERICAN VALVES

Item	Part No.	Description	US List	Can. List
PUSH PULL VALVES				
1	51013811	Valve stem complete, w/ handle	260.14	312.58
2	51013011	Nut	40.32	48.45
3	51013500	O-ring, nut	9.36	11.25
4	51013111	Reducer bushing, 2 in. male x 1-1/2 in.	39.12	47.01
5	6020006	O-ring, cap	0.05	0.06
6	51012911	Cap	39.12	47.01
8	51005000	O-ring, valve stem, 2 in., 2 req.	10.39	12.48
9	273062	O-ring, bulkhead, 8 in. model only	2.40	2.88
10	51013500	O-ring, bulkhead, 8 in. model only	9.36	11.25
11	274494	O-ring, bulkhead, 7-1/2 in. model only	7.24	8.70

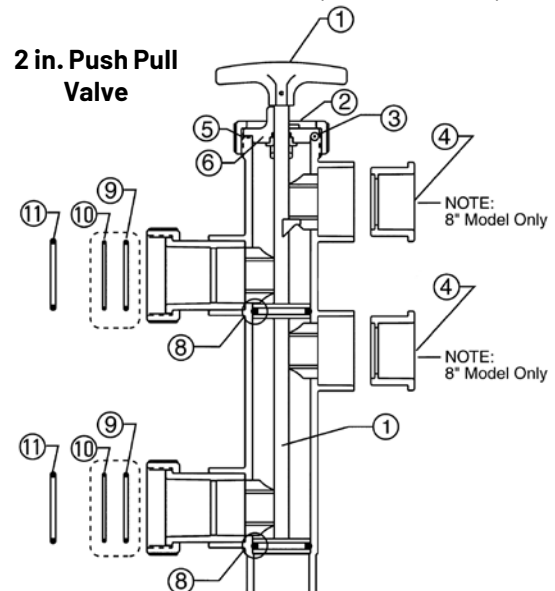
Both items 9 and 10 are included in the kit for multiple applications. Choose only the one set appropriate for your application.

CALIFORNIA PROPOSITION 65 WARNING

⚠ **WARNING:** Cancer and Reproductive Harm.
 ⚠ **AVERTISSEMENT:** Peut Causer le Cancer et des Dommages au Système Reproducteur.
 ⚠ **ADVERTENCIA:** Cáncer y Daño Reproductivo.
www.p65warnings.ca.gov

MODELS

263064 (7-1/2 in. centerline)
50290211 (8 in. centerline)

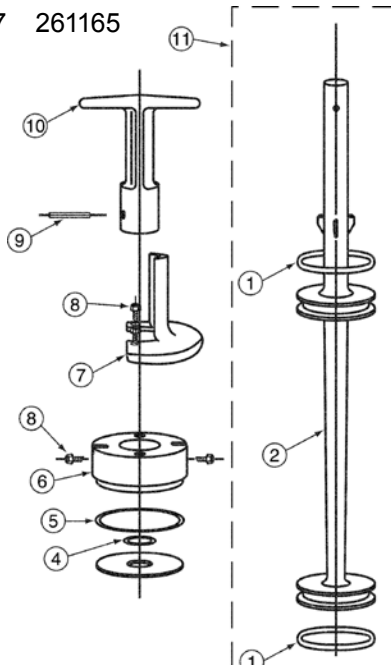


2 in. Push Pull
Valve

2 IN. PVC SLIDE VALVE

REPLACEMENT PARTS FOR SLIDE VALVES

MODELS
261047 261165

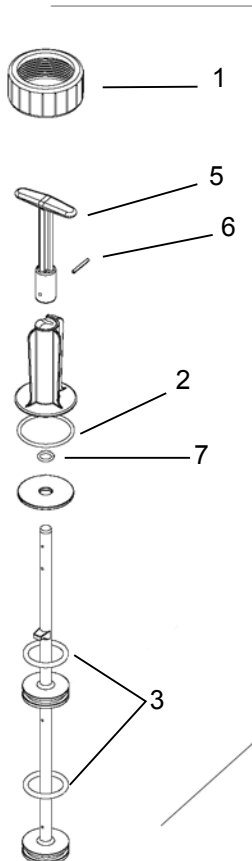


Item	Part No.	Description	US List	Can. List
2 IN. PVC SLIDE VALVE				
1	273090	O-ring - 1-1/2 in. i.d. x 3/16 in. dia., 2 req.	3.93	4.72
2	273106	Piston Shaft	152.97	183.81
4	JV18	O-ring Kit	1.60	1.92
5	273062	O-ring - 2-1/8 in. i. d. x 1/8 in. dia.	2.40	2.88
6	273077	Plug - 5/8 in. i.d. x 2-3/8 in. o.d.	8.91	10.71
7	273064	Position Bracket	47.78	57.41
8	273071	Screw - #14 - 18-8 s/s, 4 req.	2.57	3.09
9	273063	Pin - 1/8 in. dia. x 1-1/8 in. long s/s.	4.36	5.24
10	273089	Handle for plastic shaft - 5/8 in. i.d.	25.39	30.51
11	273241Z	Piston rod assy.	143.67	172.63
NOT SHOWN				
	154566	Sight glass - 2 in. clear	22.40	26.92

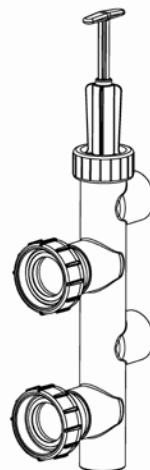
CALIFORNIA PROPOSITION 65 WARNING
 ⚠️ **WARNING:** Cancer and Reproductive Harm.
 ⚠️ **AVERTISSEMENT:** Peut Causer le Cancer et des Dommages au Système Reproducteur.
 ⚠️ **ADVERTENCIA:** Cáncer y Daño Reproductivo.
www.p65warnings.ca.gov
PN 202714

SLIDE VALVES

REPLACEMENT PARTS FOR SLIDE VALVES



MODELS
263064
263052 263078
263053 263079



263053

Item	Part No.	Description	US List	Can. List
SLIDE VALVE				
1	270141	Nut, Black SF PMP/VLV PSHPL	29.22	35.11
2	273062	O-ring	2.40	2.88
3	51005000	O-ring	10.39	12.48
4	263055	Kit, Piston Shaft Assembly	158.20	190.09
5	270134	Handle	25.40	30.52
6	273063	Pin	4.36	5.24
7	6020006	O-ring	0.05	0.06
NOT SHOWN				
	263054	Kit, O-rings. Includes all valve O-rings.	31.24	37.54

CALIFORNIA PROPOSITION 65 WARNING
 ⚠️ **WARNING:** Cancer and Reproductive Harm.
 ⚠️ **AVERTISSEMENT:** Peut Causer le Cancer et des Dommages au Système Reproducteur.
 ⚠️ **ADVERTENCIA:** Cáncer y Daño Reproductivo.
www.p65warnings.ca.gov
PN 202714

Product on pages 302 and 305.

PLASTIC SLIDE VALVE

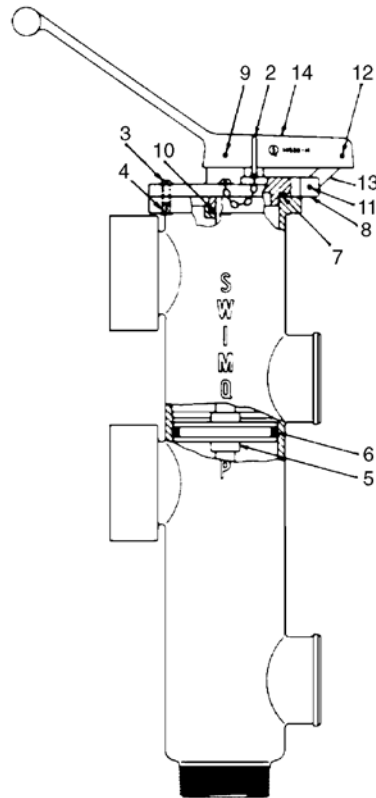
REPLACEMENT PARTS FOR STA-RITE PLASTIC SLIDE VALVE



MODEL

WC212-134P

14936-0000



Item	Part No.	Description	US List	Can. List
PLASTIC SLIDE VALVE				
2	WC30-84	Lock Pin Assembly	23.22	27.90
3	37107-0085	Screw	6.54	7.86
4	34302-0518	Brass Insert	3.82	4.59
5	14930-0033	Piston Assembly	230.61	277.10
6	35505-1318	O-Ring	7.63	9.17
7	35505-1246	O-Ring	6.54	7.86
8	14930-0012	Index Plate	47.25	56.78
9	51009500	Spring Pin	CALL	CALL
10	35505-1116	O-Ring	5.88	7.07
11	51009500	Spring Pin	CALL	CALL
12	35817-0056	Spring Pin	6.54	7.86
13	14930-0016	Lever Linkage	6.02	7.23
14	14930-0014	Handle	145.58	174.93

CALIFORNIA PROPOSITION 65 WARNING

⚠ **WARNING:** Cancer and Reproductive Harm.
 ⚠ **AVERTISSEMENT:** Peut Causer le Cancer
 et des Dommages au Système Reproducteur.
 ⚠ **ADVERTENCIA:** Cáncer y Daño Reproductivo.
www.p65warnings.ca.gov

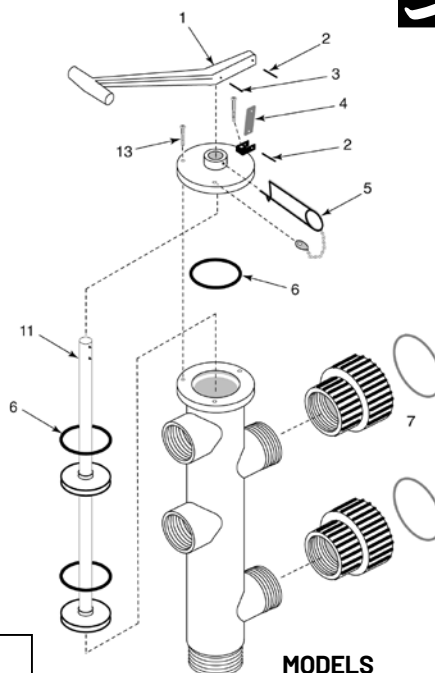
PK120174A

BRONZE VALVES

REPLACEMENT PARTS FOR STA-RITE VALVES



Item	Part No.	Description	US List	Can. List
BRONZE VALVE				
1	14821-0005	Lever Handle	95.68	114.97
2	35817-0056	Spring Pin	6.54	7.86
3	51009500	Spring Pin	CALL	CALL
4	14821-0008	Linkage	13.06	15.69
5	WC30-84	Lock Pin Assembly	23.22	27.90
6	35505-1401	O-Ring	8.15	9.79
7	77703-0100	Union Kit	69.40	83.39
8	38405-4089	Union Adapter	CALL	CALL
11	14819-0011	Piston Assembly, 1-1/2 in.	230.61	277.10
11	14823-0011	Piston Assembly, 2 in.	261.79	314.57
13	37062-0130	Screw	6.54	7.86
NOT SHOWN				
	35505-1116	O-Ring	5.88	7.07



MODELS

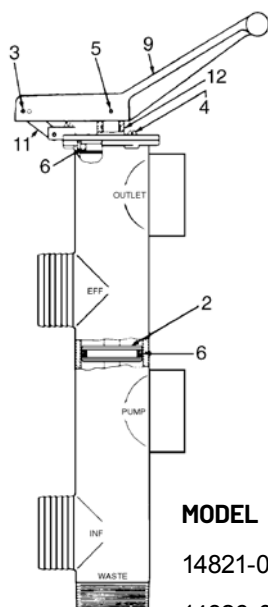
WC212-135D – 1-1/2 in.

WC212-136D – 2 in.

CALIFORNIA PROPOSITION 65 WARNING
 ⚠️ **WARNING:** Cancer and Reproductive Harm.
 ⚠️ **AVERTISSEMENT:** Peut Causer le Cancer et des Dommages au Système Reproducteur.
 ⚠️ **ADVERTENCIA:** Cáncer y Daño Reproductivo.
www.p65warnings.ca.gov

BRONZE SLIDE VALVES

REPLACEMENT PARTS FOR STA-RITE VALVES



MODEL

14821-0000 – 1-1/2 in.

14826-0000 – 2 in.

Item	Part No.	Description	US List	Can. List
BRONZE SLIDE VALVE				
2	14819-0011	Piston Assembly with O-Rings	230.61	277.10
3	35817-0056	Spring Pin	6.54	7.86
4	37062-0130	Screw	6.54	7.86
5	51009500	Spring Pin	CALL	CALL
6	35505-1401	O-Ring (Model 14821-6000)	8.15	9.79
6	35505-1313	O-Ring	6.96	8.36
9	14821-0005	Lever Handle	95.68	114.97
11	14821-0008	Linkage	13.06	15.69
12	35505-1116	O-Ring	5.88	7.07

CALIFORNIA PROPOSITION 65 WARNING
 ⚠️ **WARNING:** Cancer and Reproductive Harm.
 ⚠️ **AVERTISSEMENT:** Peut Causer le Cancer et des Dommages au Système Reproducteur.
 ⚠️ **ADVERTENCIA:** Cáncer y Daño Reproductivo.
www.p65warnings.ca.gov

